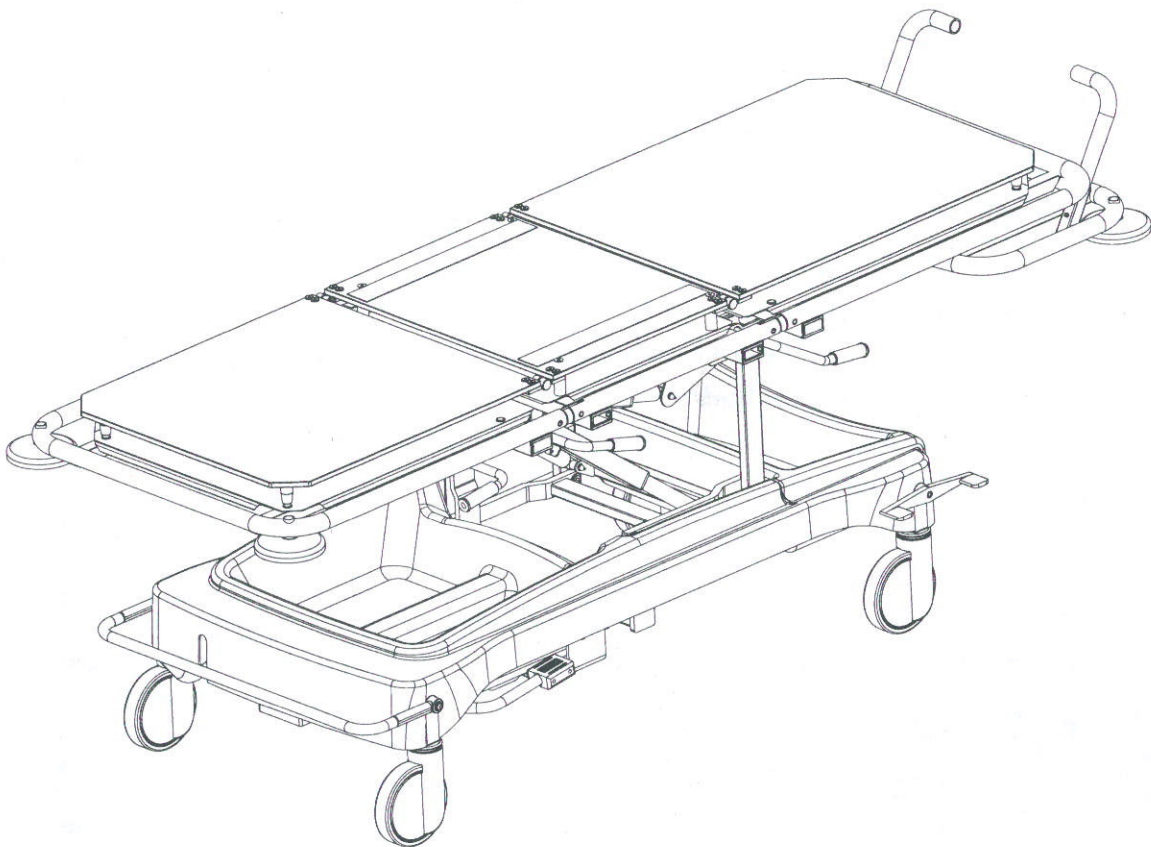


OPERATING INSTRUCTIONS

EMERGENCY AND PATIENT TROLLEY EMERGO



do1056b.pdf

Drafted by: Markku Luokkanen
Approved by: Jukka Tokoi

Type: **Operating instructions**
Document: **DO1056.en**

Completed: 1.2.2004
Version: 00 -1.2.2004



Merivaara Oy
Puustellintie 2, 15150 LAHTI
Puh. 03 3394 611 • faksi 03 3394 6134
merivaara@merivaara.fi

www.merivaara.com

CE

1	GENERAL	4
2	TECHNICAL SPECIFICATIONS	5
	2.1 Type plate	5
	2.2 Properties and materials	5
	2.2.1 Conditions	5
	2.2.2 Dimensions	6
	2.2.3 Surface materials	6
3	PRODUCT USE	6
	3.1 Implementation	6
	3.2 Adjustments	6
	3.2.1 Central braking system and tracking castor	6
	3.2.2 Height adjustment	7
	3.2.3 Trendelenburg and anti-Trendelenburg adjustment	7
	3.2.4 Back section adjustment	7
	3.2.5 Leg section adjustment	7
	3.2.6 Fifth castor.	8
	3.2.7 Subframe push bars	8
4	CLEANING	9
	4.1 Trolley cleaning and disinfecting	9
	4.1.1 Trolleys	9
	4.1.1.1 Cleaning	9
	4.1.1.2 Disinfecting	9
	4.1.1.3 Drying	9
	4.1.2 Mattresses	9
	4.1.2.1 Cleaning mattress surface	9
	4.1.2.2 Disinfecting mattress cover	9
5	RECYCLING	10
	5.1 Metals and plastics	10
	5.1.1 Gas springs	10
	5.1.2 Hydraulics	10

1. GENERAL



Dear patient trolley owner, The safe and fault-free use and maintenance of the equipment requires careful adherence to these instructions. When mounting accessories to the equipment, the instructions provided with them must be followed closely. Always keep the instructions for accessories together with this manual.

Warnings and observations found in this instruction manual are indicated as follows:

WARNING! Please observe to ensure patient safety.

NOTE! Please observe in order to avoid causing damage to the equipment or its parts.



Lubricate during maintenance and when replacing parts.

The design of patient trolley structures adheres to hospital bed-related standard EN 60601-2-38.

The trolley complies with directive 93/42/EEC (MDD) product class I, and bears a CE marking based on this classification.

Intended use

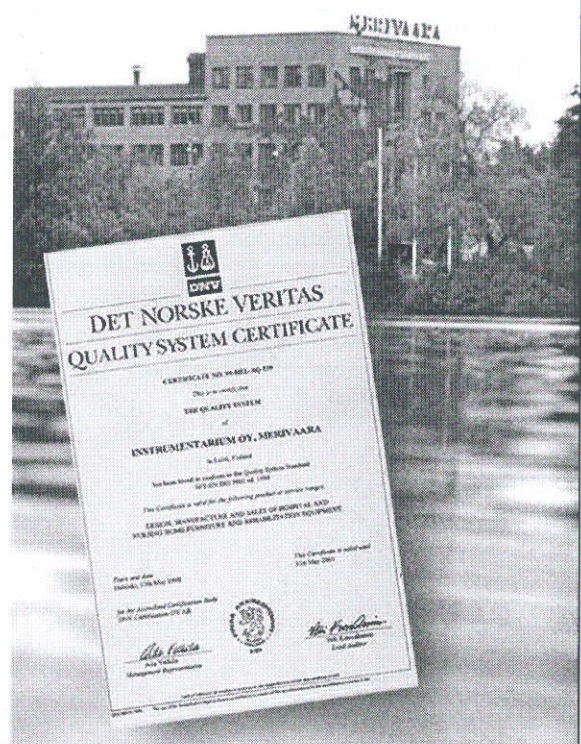
Merivaara emergency and patient trolleys are intended for use as patient transport and for treatment in hospitals and emergency wards. They are primarily designed for patients over 12 years of age or over 120 cm in height.

Expertise is essential.

The patient is the most important part of treatment. This is precisely why the equipment used in treatment must be absolutely safe and convenient to use. As a health care professional, you deserve the very best tools, allowing you to concentrate on your own field of expertise. Merivaara is an expert in providing hospital equipment.

Merivaara products have been designed to function efficiently and flexibly during the various stages of treatment. They assist you in the performance of your work, without distracting you from the task at hand. Our integrated equipment system includes state-of-the-art equipment for hospital procedures and hospital room environments as well as for nursing homes and home care applications.

For more information on Merivaara products,

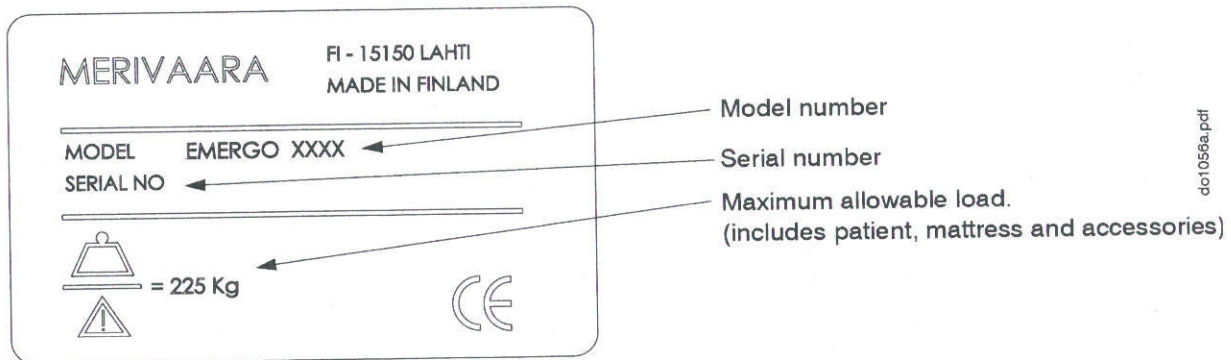


2. TECHNICAL SPECIFICATIONS



2.1 Type plate

The type plate is located at the bottom of the back section.



do1056a.pdf

2.2 Properties and materials

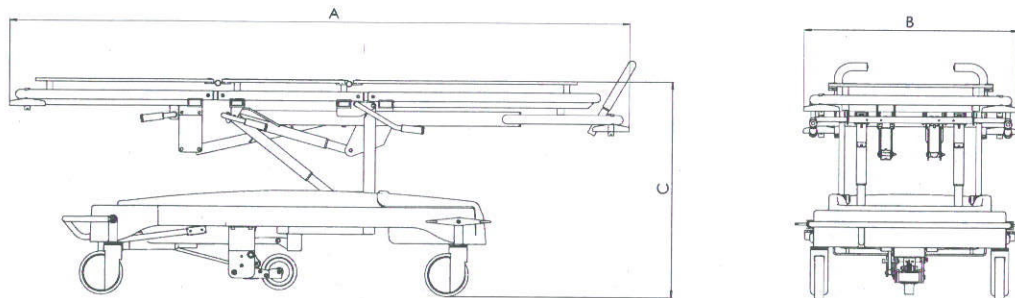
2.2.1 Operating conditions

Ambient temperature	+10- +40 °C
Ambient air pressure	700- 1060 mbar
Relative humidity	30 %- 75 %
Transport temperature	-10- +40 °C
Storage temperature	+10- +40 °C
Maximum allowable load. (includes patient, mattress and accessories)	225 kg

2.2.2 Dimensions

Length (A)	2075 mm	2150 mm (w/ subframe)	
Width (B)	750 mm		
Height (C)	715 mm (fixed)	535-905 mm	600-970 mm (w/ x-ray platform)
Weight	58 kg- 120 kg (depending on model)		
Castors	125 mm, 150 mm, 200 mm		

Table 1. Dimensions



doi1056c.pdf

2.2.3 Surface materials

	Surface materials
Frame parts	Epoxy paint
Mattress base frame, pedal bars	Chroming/epoxy paint
Protective casing	ABS (acrylonitrile butadiene styrene)
Side rail mounting bushing, bumpers	PP (polypropylene)
Mattress base joint, handles	PA 6 (polyamide)
Push bar profile	TPE (thermoplastic elastomer)

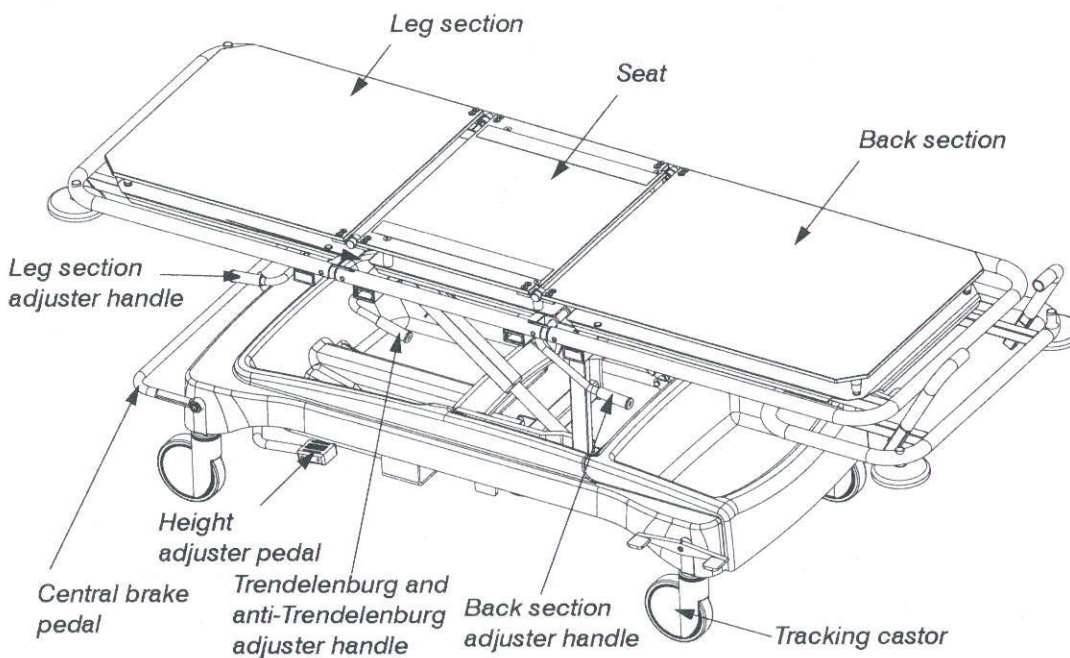
3. PRODUCT USE



3.1 Implementation

The patient trolley is preassembled in its packaging. Inspect the product for any shipping damages. All packaging cardboard should be recycled. Wood and plastics are energy waste.

3.2 Adjustments



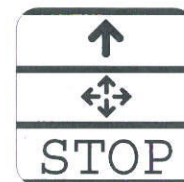
do1056d.pdf

3.2.1 Central braking system and tracking castor

When the pedal is up, the tracking castor will lock in its tracking position.

When the pedal is in the middle position, all castors will turn.

When the pedal is in the lower position, all castors will lock.



p4-6288.eps

WARNING!

- Lock castors during treatment.

NOTE!

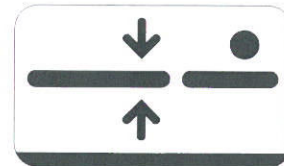
- The location of the tracking castor can be specified when ordering.
- The tracking castor is usually located on the right side of the head end.
- Use the tracking position to facilitate transporting.

3.2.2 Height adjustment

Depress the height adjuster pedal to raise the mattress base.

Lift the adjuster pedal to lower the mattress base.

There is 370 mm of travel.

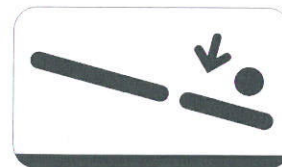


p4-9286v.eps

3.2.3 Trendelenburg and anti-Trendelenburg adjustment

Turn the adjuster handle and adjust the leg section, holding the end tubing with

The Trendelenburg angle is 0- 14° and anti-Trendelenburg angle is 0- 7°.



p4-9281v.eps

3.2.4 Back section adjustment

Turn the back section adjuster handle with one hand while supporting the back section with the other. The back section will tilt approximately 0°- 70°



p4-9284c.eps

3.2.5 Leg section adjustment

Turn the leg section adjuster handle with one hand while supporting the leg section end tubing. The leg section will tilt 0- 45°.

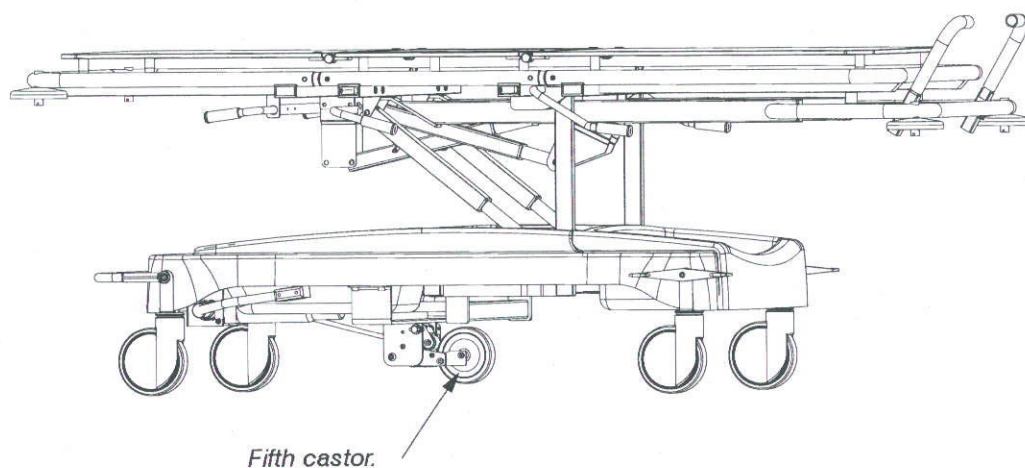


p4-9285v.eps

WARNING!

- Before adjusting the mattress base position, ensure that the patient's hands, feet, fingers or other parts of the body are not caught between the pivoting mattress base or side rail part.
- Before lowering the mattress base, ensure that there are no obstructions under it.

3.2.6 Fifth castor.



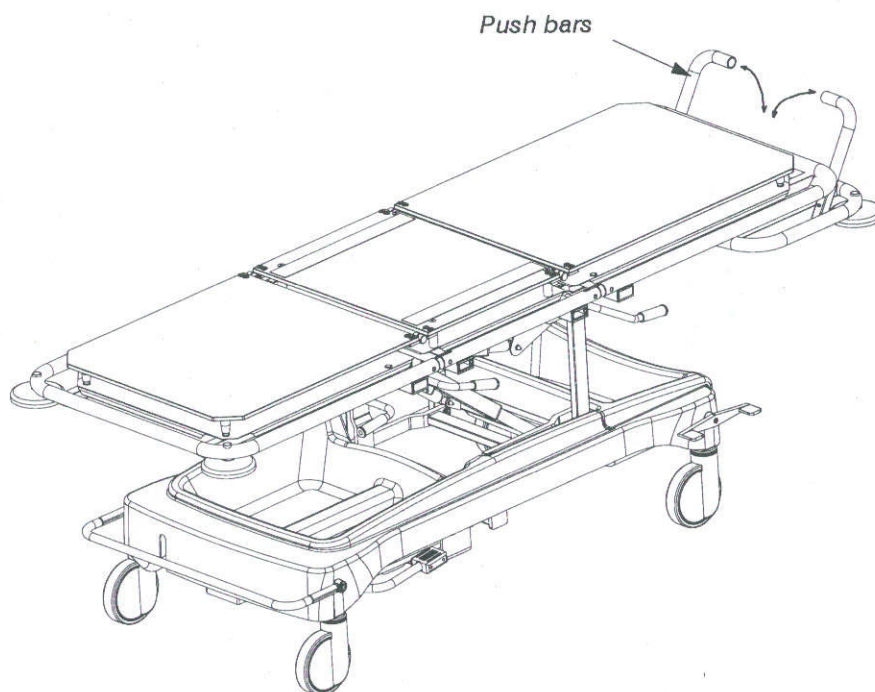
dot 056e.pdf

When the pedal is up, the fifth castor will lock in its tracking position.

When the pedal is in the middle position, all castors will turn (fifth castor off the floor).

When the pedal is in the lower position, all castors will lock.

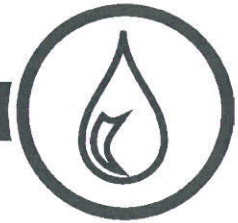
3.2.7 Subframe push bars



dot 056b.pdf

If necessary, the bars can be raised (transporting)
or lowered (treatments).

4. CLEANING



4.1 Trolley cleaning and disinfecting

4.1.1 Trolleys

4.1.1.1 Cleaning

Remove all accessories. Clean by wiping down with a mild alkaline detergent (pH 7-8) or spray accessories, adding a rust inhibitor to the final cleaning solution.

4.1.1.2 Disinfecting

Wipe down using, for example, a 3% chloramine-based disinfectant (Klorilli) or similar cleaning agent.

4.1.1.3 Drying

Dry in a drying cabinet with a hot air blower (80 °C) or by thoroughly wiping down with a towel immediately after cleaning or disinfecting.

4.1.2 Mattresses

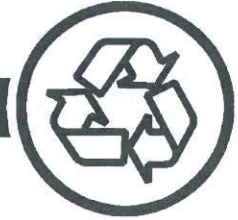
4.1.2.1 Cleaning mattress surface

Wipe down with soap and water. If necessary, wash in a clothes washer at 60°C (max). Use a normal washing powder, which does not contain biological detergents. Do not use bleach. Perchloroethylene is used in dry cleaning. The fabric must be completely dry before storing.

4.1.2.2 Disinfecting mattress cover

The maximum concentration for hypochlorite disinfectant is 0.1% hypochlorite. The wash temperatures and times for disinfecting are as follows: 10 minutes at 65°C and 3 minutes at 71°C.

5. RECYCLING



5.1 Metals and plastics

When disposing of a patient trolley or replacing any of its parts, check the recyclability of each item. A majority of the metal used on the patient trolley is steel. Zinc castings and brass bushings are also used. When recycling plastic parts, determine the material type. The part materials table on page 6 will provide assistance in determining the correct recycling procedure. If a part material is missing from the table, contact your sales representative. For more information on recycling, contact your local waste management facility or visit related sites on the Internet.

Below are recycling symbols, which are marked on parts made of plastic. Products marked with these symbols can be used as energy waste.



5.1.1 Gas springs

Gas springs can be disposed of as metal waste after all nitrogen gas and oil has been removed from them.

WARNING! The release of nitrogen gas is strictly prohibited without following the proper instructions.

Contact the Merivaara Service Department for instructions on the correct disposal of gas springs.

5.1.2 Hydraulics

Hydraulic cylinders and valves can be disposed of as metal waste after all oil has been removed from them.



DECLARATION OF CONFORMITY
To European Council Directive 93/42/EEC

We

Merivaara Corp.
Puustellintie 2, FIN-15150 LAHTI, FINLAND

declare that the

Emergo Patient Trolley

Class I (Annex IX)

provided with specified accessories conforms to the European Council Directive 93/42/EEC, Medical Device Directive, Annex VII and the corresponding Finnish National Law no. 1505 (1994) and regulation no. 1506 (1994).

The product is controlled in accordance with ISO 9001 Quality System and ISO 14001 Environmental Management System, and meet the requirement of following standard.

EN 60601-2-38:1996-10 (partly applied)

Medical electrical equipment. Part 2: Particular requirements for the safety of electrically operated hospital beds

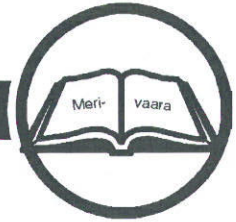
January 29, 2004

A handwritten signature in black ink, appearing to read 'Ilkka Laipio'.

Ilkka Laipio
Managing Director

This is a translation from the original Declaration of Conformity in Finnish dated on January 29, 2004.

ORDER FORM



Delivery address:

Billing address:

Designation/
reference:

Designation/
reference:

Ordered by:

Tel:

Order date:

Shipping method:

Qty:	Part no:	Code:	Part name:

Additional information:

Merivaara Oy
Puustellintie 2
15150 LAHTI

Telephon 03 3394 6150
Fax: 03 3394 6249